

# Opal8L

## 8 port unmanaged DIN-Rail switches



### » Overview

Opal8L unmanaged 8-port switch is specially designed for automation control applications. It is equipped with two fast Ethernet fiber/RJ45 optional ports and 6 10/100Base-TX RJ45 ports. Opal8L supports SFP type fiber ports, redundant power inputs, built-in isolated power supply, metal housing with IP30 protection class, thus ensuring fast and reliable data transmission in harsh industrial environments. Opal8L provides both standard (-10°C to 60°C) and wide (-40°C to 75°C) operating temperature range models to meet different applications.

### » Key Features

Support 2 Fast Ethernet fiber/RJ45 optional ports, 6 10/100Base-T(X) ports

Built-in isolated power supply, Full load power consumption is as low as 3.4 W

Both standard and wide operating temperature models are available

EMC level 3

IP30 protection class

### » Product Specifications

#### > Technical Specification

**-Standard**

IEEE 802.3i (10Base-T)

IEEE 802.3u (100Base-TX and 100Base-FX)

**-Switch Properties**

MAC Table: 2K

Packet Buffer: 1Mbit

Packet Forwarding Rate: 1.2Mpps

Switching Delay: <10 $\mu$ s

**-Interface**

Fast Ethernet Port:

100Base-X, SFP slot

10/100Base-T(X), RJ45 port

**-LED**

LEDs on Front Panel

Power LED: PWR1, PWR2

Interface LED: Link/ACT (RJ45 port); Link/ACT (Fiber port)

**-Power Requirements**

Power Input: 12-48VDC/18-30VAC

Power Terminal: 4-pin 5.08mm-spacing plug-in terminal block

Power Consumption: <3.4W

Overload Protection: Support

Reverse Protection: Support

Redundancy Protection: Support

**-Physical Characteristics**

Housing: Metal

Cooling: Natural convection, fanless

Protection Class: IP30

Dimension: 45.6mm $\times$ 114.5mm $\times$ 68mm(8T), 45.6mm $\times$ 114.5mm $\times$ 95mm(2SFP6T) (W $\times$ H $\times$ D)

Weight: 0.3Kg

Mounting: DIN-Rail or Panel Mounting

### **-Environmental Limits**

Operating Temperature:

-10°C to +60°C (-E)

-40°C to +75°C

Storage Temperature: -40°C to +85°C

Ambient Relative Humidity: 5-95% (non-condensing)

### **-Quality Assurance**

MTBF: 6106558 hrs

Warranty: 5 years

### **-Approvals**

CE, FCC

UL61010, Class I Div 2 (Pending)

### **-Industry Standard**

EMI:

FCC CFR47 Part 15, EN55032/CISPR22, Class A

EMS:

IEC61000-4-2(ESD): ±6kV (contact), ±8kV (air)

IEC61000-4-3(RS): 10V/m (80MHz–2GHz)

IEC61000-4-4(EFT): Power Port: ±4kV; Data Port: ±2kV

IEC61000-4-5(Surge): Power Port: ±1kV/DM, ±2kV/CM; Data Port: ±2kV

IEC61000-4-6(CS): 10V (150kHz–80MHz)

Machinery:

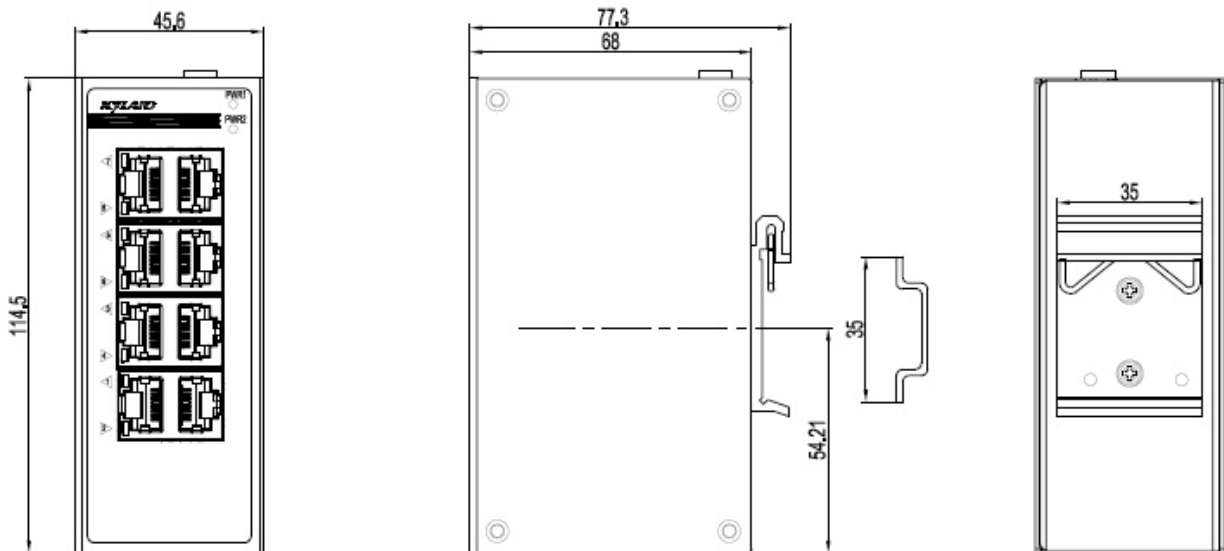
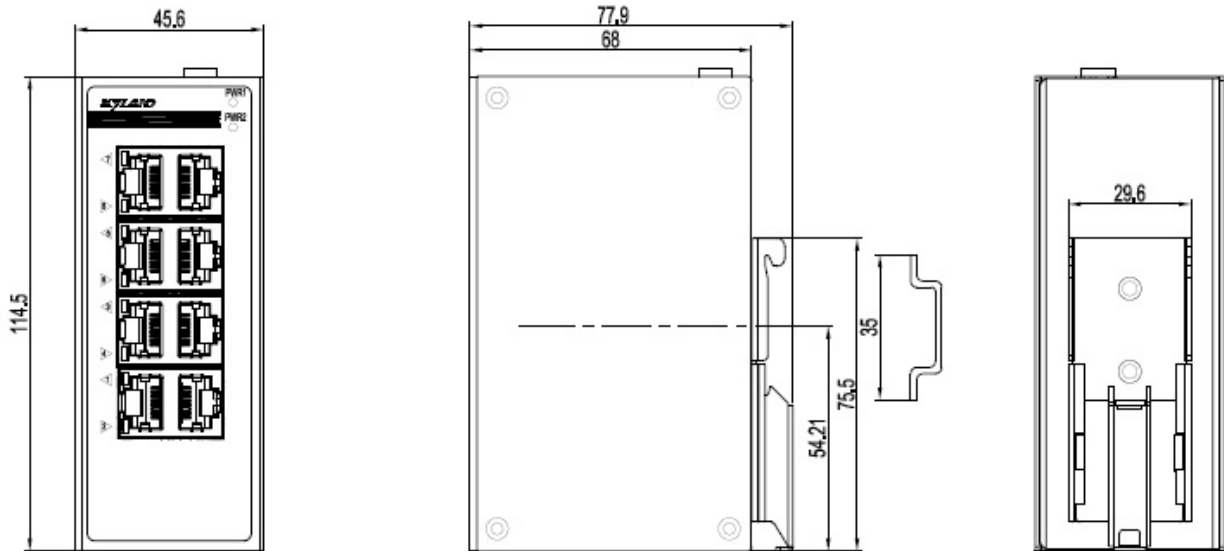
IEC60068-2-6 (Vibration)

IEC60068-2-27 (Shock)

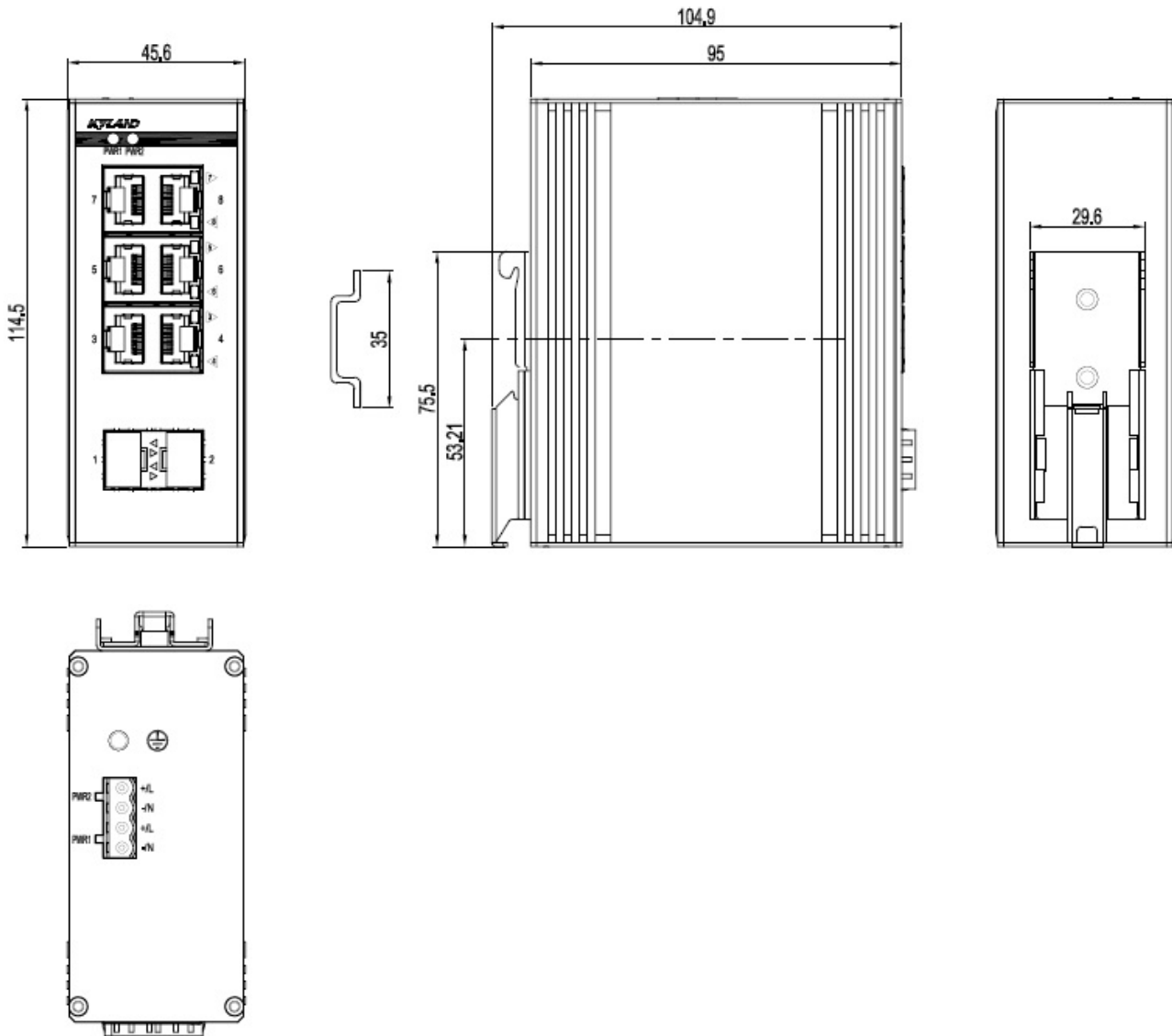
IEC60068-2-32 (Free Fall)

## **» Mechanical Drawing**

Opal8L-8T:



Opal8L-2SFP6T:



» Ordering Information

<b>Opal8L-X-Ports-PS1-PS2</b>	
<b>X</b>	<b>Operating temperature range</b>
E	-10 to +60°C operating temperature
None	-40 to +75°C operating temperature
<b>Ports</b>	
8T	8 X 10/100Base-T(X) RJ45 ports
2SFP6T	2 X 100Base-X, SFP slots; 6 X 10/100Base-T(X) RJ45 ports
<b>PS1-PS2</b>	
LV-LV	12-48VDC/18-30VAC, redundant power inputs
<b>Accessories</b>	
100Base-X SFP module	Please refer to the 100Base-X SFP module ordering list
DT-BGAZ-01	Panel for Panel mounting
DT-FCZ-RJ45-01	Dustproof cover for RJ45 port

