

PTP over E1/T1 Module



- Plug-in interface module for time sync over SDH network
- ITU-T compliant E1/T1 interface with balanced or unbalance connection
- Less than 1µs synchronization accuracy
- Interface module for SICOM6028GPT, SICOM6424PT, SICOM3028GPT, SICOM3424PT

Overview

PTP over E1/T1 precision clock interface module is specifically designed for Kyland GPT series including SICOM6028GPT, SICOM6424PT, SICOM3028GPT, and SICOM3424PT which support PTP protocol. It realizes precise transmission of Ethernet based clock messages over traditional SDH network with an accuracy of less than 1µs.

Environmental Limits

Operating Temperature: -40 to 85°C (-40 to 185°F)
 Storage Temperature: -40 to 85°C (-40 to 185°F)
 Ambient Relative Humidity: 5 to 95% (non-condensing)

Warranty

5 years

Technical Specifications

Interface

E1/T1 Interface
 Speed: 2.048Mbps(E1), 1.544Mbps(T1)
 Resistor: Unbalanced 75Ω, Balanced 120Ω
 Connector: Unbalanced BNC, Balanced RJ45
 Electrical: ITU-T G.703, G.704
 Standard: ITU-T G.823

LED

LEDs on front panel
 Operation status: RUN
 Ethernet status: Ethernet
 E1 Status: Link, Loss

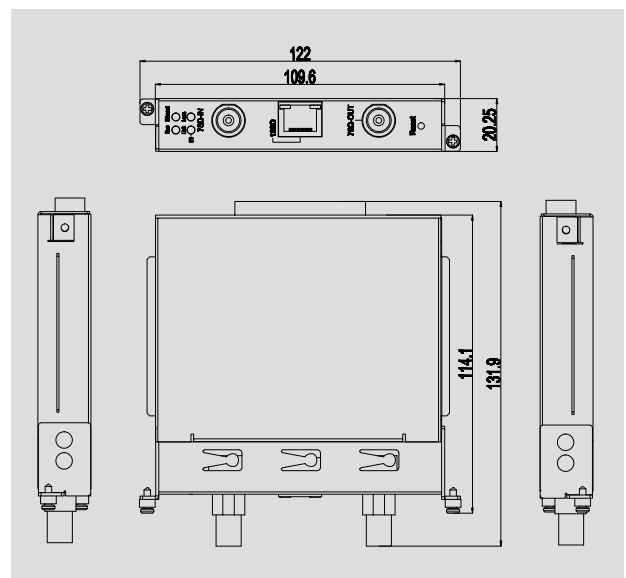
Physical Characteristics

Housing: Metal, fanless
 Protection Class: IP40
 Dimension (WxHxD): 122mmx20.3mmx114.1mm(WxHxD) (4.83x0.80x4.49 in.)
 Weight: 0.3Kg (0.661 pound)

Power Requirements

Power input: 3.3VDC
 Power terminal: A type interface (powered by backplane)
 Power consumption: <3W

Mechanical Drawing



Ordering Information

SM6.6-PTP-OVER-E1/T1 = PTP time sync module over E1/T1