

# Multi Functional Application Module



- Plug-in module for GPT series
- Industrial grade computing platform
- Applications of security, control and monitor designed for power utilities

## Overview

SM6.6-MFA module is a plug-in computing platform with Linux OS specially designed for GPT series. This industrial grade module is compliant with IEC61850-3 and IEEE1613. Multiple application software packages can be loaded within the platform to enhance the service performance and functionality. Security, time sync management and multiple gateway protocols enable customer an economic way of deploying extensive application using computing power of the module.

## Technical Specifications

### Hardware

CPU: PowerPC 400MHz  
 DRAM: 256MB/64bit  
 Flash: 128MB  
 Watchdog: Built-in, 15s time out  
 Interface: 1000Base-X, 10/100/1000Base-T(X) Combo (Faceplane),  
 1000Base-X (Backplane)  
 LED Indicator: Link, ACT

### OS

Linux 2.6 with Real-Time extension

### Apps: Data Processing Package

Standard: Realtime data collection, process and forwarding, including IEC60870-5-101 and IEC60870-5-104 protocol  
 Additional: DNP or Modbus or Profibus or EC61850 Server or IEC61850 Client

**Apps: Time Sync Package** Timing Management System

**Apps: Security Package** Firewall, NAT

### Physical Characteristics

Housing: Metal, fanless  
 Protection Class: IP40  
 Dimension (WxHxD):  
 122mmx20.3mmx114.1mm (WxHxD) (4.83x0.80x4.49 in.)  
 Weight: 0.22Kg (0.485 pound)

### Power Requirements

Power input: 3.3VDC  
 Power terminal: A type interface (powered by backplane)  
 Power consumption: 2.5W

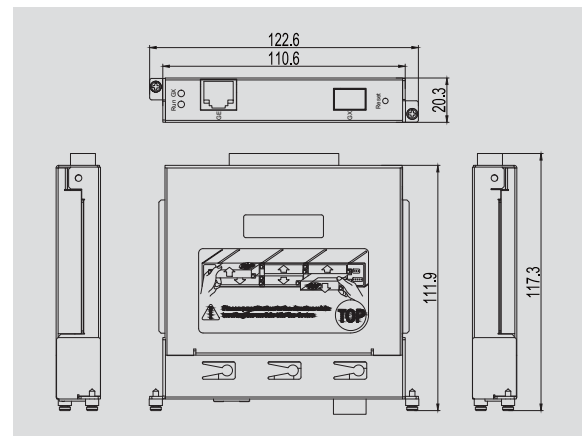
### Environmental Limits

Operating Temperature: -40 to 85°C (-40 to 185°F)  
 Storage Temperature: -40 to 85°C (-40 to 185°F)  
 Ambient Relative Humidity: 5 to 95% (non-condensing)

### Warranty

5 years

## Mechanical Drawing



## Ordering Information

### Hardware

SM6.6-MFA = Plug-in Multifunction functional application platform with 1GX/GE combo port

### Software License

DP-S1 = Standard Data processing package : Real time data collection, process and forwarding, including IEC60870-5-101 and IEC60870-5-104 protocol

DP-A1 = Additional data processing application: DNP

DP-A2 = Additional data processing application: Modbus

DP-A3 = Additional data processing application: Profibus

DP-A4 = Additional data processing application: IEC61850 Server

DP-A5 = Additional data processing application: IEC61850 Client

TP-S1 = Standard Time sync application: TMS

SP-S1 = Standard Security application