

Serial Device Server Module



- 4 RS232/422/485 serial ports, one 100M interface (backplane)
- Reset button for easy module reset without need to reboot the device
- $\pm 15\text{kV}$ ESD protection circuit for each serial port
- Compliant with EMC industrial level 4

» Overview

SM6.6-4D-RJ50 is a plug-in serial device server interface module specially designed for Kyland GPT series supporting 4 selectable RS232 RS422 and RS485 serial ports in 10 pin RJ50 connector, isolated IP address and management. This serial module is fully compliant with EMC level 4 with each serial port integrated with $\pm 15\text{kV}$ ESD protection circuit. It enriches GPT series with standard serial device server functionalities for utility applications.

» Technical Specifications

Standard

IEEE 802.3i, IEEE 802.3u, IEEE 802.3x

Protocol

TCP, UDP; FTP, TFTP; Telnet, HTTP, HTTPS; SSL, SSH; ARP, TCP/IP, ICMP;

Interface

4 RS232/422/485 serial ports, 10 pin RJ50 connector
 Bit error rate: 0
 Electrical characteristic: 3 wire RS232, 4 wire RS422, 2 wire RS485
 Data bits: 5,6,7,8, default is 8
 Stop bits: 1, 1.5, 2, default is 1
 Parity bits: None, Even, Odd, Space, Mark, default is None
 Flow control: XON/XOFF, default is XOFF
 Baud Rate: 50bps-1000Kbps, default is 9600

LED

LED on front panel
 RUN LED: RUN
 Serial port LED: TX, RX

Reset Button

Reset Button for easy module reboot without rebooting the device

Transmission Distance

Serial: RS232, 15m; RS422/485: 1200m

Power Requirements

Power input: 3.3VDC
 Power terminal: A type interface (powered by backplane)
 Power consumption: 2.5W

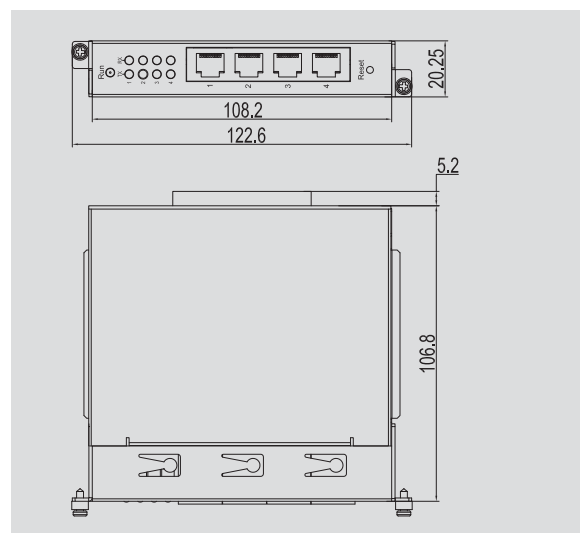
Environmental Limits

Operating Temperature: -40 to 85°C (-40 to 185°F)
 Storage Temperature: -40 to 85°C (-40 to 185°F)
 Ambient Relative Humidity: 5 to 95% (non-condensing)

Warranty

5 years

» Mechanical Drawing



» Ordering Information

SM6.6-4D-RJ50 = Serial device server interface module with 4 RS232/422/485 serial ports in RJ50 connectors