

# HSR/PRP Module



- Plug-in Redbox module for reliable industrial networking in GPT series
- Full FPGA hardware solution with low switching latency
- Compliant implementation of HSR (IEC62439-3-5) and PRP (IEC62439-3-4)

## Overview

SM6.6-HSR/PRP interface module is a plug-in Redbox module specially designed for GPT series realizing both IEC62439-3-5/HSR (High-availability Seamless Redundancy) and IEC62439-3-4/PRP (Parallel Redundancy Protocol). The selection of HSR and PRP is configurable in the software. This plug-in Redbox module, which supports two 10/100/1000Base-TX RJ45 ports, is a full FPGA hardware solution with low switching latency and high communication efficiency. Enriched with this HSR/PRP module, a reliable redundancy network with Zero Recovery Time and Zero Packet Loss can be established with the deployment of Kyland GPT series. SM6.6-HSR/PRP supports two versions: Standard version and Professional version, which are defined for different network load.

## Technical Specifications

### Interface

Port-A: 10/100/1000Base-T(X) ,RJ45  
 Port-B: 10/100/1000Base-T(X) ,RJ45  
 Backplane: 1000Base-T(X)

### Switching

Protocol: HSR, PRP(pending)  
 Switching latency < 3us  
 Table size: Standard, 512; Professional, 8K  
 Ring Node: Standard, 30; Professional, 200

### LED

Interface Speed,Link/ACT

### Physical Characteristics

Housing: Metal, fanless  
 Protection Class: IP40  
 Dimension (WxHxD): 122mmx20.3mmx114.1mm(WxHxD) (4.83x0.80x4.49 in.)  
 Weight: 0.22Kg (0.485 pound)

### Power Requirements

Power input: 3.3VDC  
 Power terminal: A type interface (powered by backplane)  
 Power consumption: Standard<5W; Professional<8W

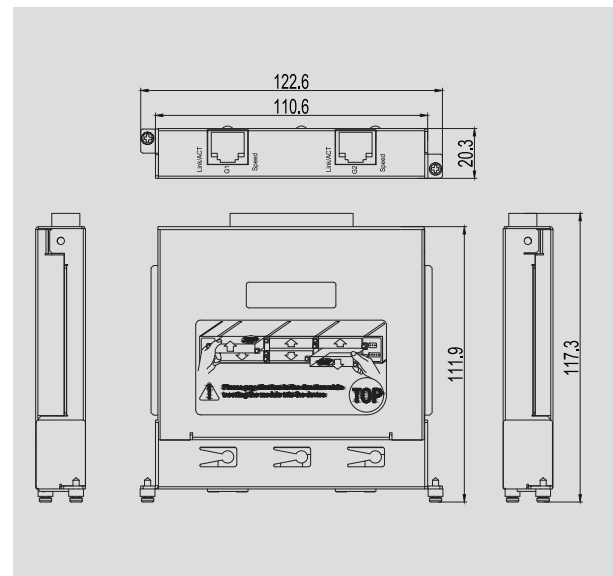
### Environmental Limits

Operating Temperature: -40 to 85°C (-40 to 185°F)  
 Storage Temperature: -40 to 85°C (-40 to 185°F)  
 Ambient Relative Humidity: 5 to 95% (non-condensing)

### Warranty

5 years

## Mechanical Drawing



## Ordering Information

**SM6.6-HSR/PRP** = Standard Plug-in HSR/PRP Redbox with 2 10/100/1000Base-TX RJ45 ports

**SM6.6-HSR/PRP-Pro** = Professional Plug-in HSR/PRP Redbox with 2 10/100/1000Base-TX RJ45 ports