

IRIG-B PTP Clock Converter Output Module



- PTP to IRIG-B high precision clock converting
- 2 IRIG-B(DC), 2 IRIB-B(AC), and 1 PPS outputs
- Supports IRIB-B000, B002, B003, B123 output
- Precision: Pulse 100ns, Analog, 1ms
- Complete support of IEEE C37.238 Power Profile and IEEE C37.118 Synchrofasors
- Interface module for SICOM6028GPT, SICOM6424PT, SICOM3028GPT, SICOM3424PT

Overview

IRIB-B PTP clock converter output module is specifically designed for SICOM6028GPT, SICOM6424PT, SICOM3028GPT and SICOM3424PT which support PTP protocol. It realizes the conversion from PTP to IRIG-B clock and PPS (Pulse Per Second). This allows the IRIG-B format industrial devices to receive PTP high precision clock through our switches conveniently. This enables a high precision synchronization in the whole industrial network. The module provides two IRIG-B (DC) outputs, two IRIB-B (AC) outputs and one PPS output.

Technical Specifications

Interface

IRIB-B (DC): TTL, +5V level, 600Ω, trigger by rising edge, port load: 40mA, BNC connector or 2-Pin 5.08mm-spacing plug-in terminal block socket
 IRIB-B (AC): Vp-p software adjustable, 600Ω, modulation ratio software adjustable, BNC connector or 2-Pin 5.08mm-spacing plug-in terminal block socket
 PPS: TTL, +5V level, 50Ω, trigger by rising edge, pulse width 20ms-200ms, software adjustable with step of 1ms.

LED

LED on front panel
 Run: Module on/off status

Physical Characteristics

Housing: Metal, fanless
 Protection Class: IP40
 Dimension (WxHxD): 122.6x20.3x106.8mm (4.83x0.80x4.20 in.)
 Weight: 0.3Kg (0.661 pound)

Power Requirements

Power input: 3.3VDC
 Power terminal: A type interface (powered by backplane)
 Power consumption: <1W

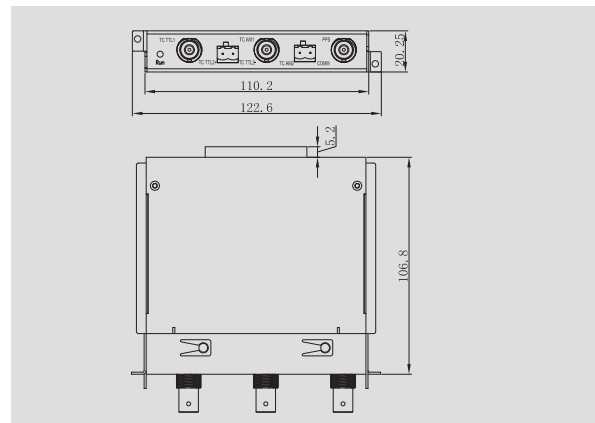
Environmental Limits

Operating Temperature: -40 to 85°C (-40 to 185°F)
 Storage Temperature: -40 to 85°C (-40 to 185°F)
 Ambient Relative Humidity: 5 to 95% (non-condensing)

Warranty

5 years

Mechanical Drawing



Ordering Information

SM6.6-PTP-BO-0.5U-V1.1 = IRIG-B PTP Clock Converter Output Module