

KIEN7009

9 Port Layer 2 Simple Managed DIN-Rail Switches



- 3 fast Ethernet fiber/RJ45 optional ports, 6 10/100Base-T(X) ports
- Supports DT-Ring and DRP protocols
- Supports one-key recovery
- Supports watchdog
- Provides Mini USB Console port
- UL508, Class I Div 2, CE, FCC certificates



Overview

KIEN7009 is one of Kyland green low power consumption industrial Ethernet switch series. It is equipped with 3 100Base-FX optic ports and 6 10/100Base-TX copper ports, making it ideal for building a fast Ethernet fiber optic ring and leaving a spare fiber port for uplink use. KIEN7009 is a light managed device, supports DT-Ring, DRP, VLAN and other protocols to increase system reliability. It is designed especially for harsh environments with wide operating temperature range, EMC level 4, IP40 protection class, It certified by CE, FCC, UL508 and CID2, and can be deployed in wind power, distribution network, automation, transportation, oil & gas and many other industrial applications.

Software Functions

Switching

Support VLAN, PVLAN

Redundancy

Support DT-Ring, DT-Ring+, DT-VLAN with the recovery time<50ms
Support DRP with the recovery time<20ms

Management & Maintenance

Support Console, Telnet, WEB management methods
Support SNMPv1/v2c/v3, Kyvision centralized management
Support software upgrade by FTP and TFTP
Support power, port and ring alarm
Support loop detection
Support CRC protection
Support RMON
Support LLDP
Support Link-check

Product Specifications

Technical Parameters

Standard

- ▼ IEEE 802.3i(10Base-T)
- ▼ IEEE 802.3u(100Base-T and 100Base-FX)
- ▼ IEEE 802.3x(Flow Control)
- ▼ IEEE 802.1Q(VLAN)

Switch Properties

Number of VLANs	256
VLAN ID	1-4093
MAC Table	8K
Packet Buffer	1Mbit
Packet Forwarding Rate	1.4Mpps
Switching Delay	<5μs

Interface

Fast Ethernet Port

- ▼ 100Base-FX, SM/MM, SC/ST/FC connector
- ▼ 10/100Base-T(X), RJ45 port

Console Port Mini USB

Alarm Contact

- ▼ 3-pin 5.08mm-spacing plug-in terminal block,250VAC/220VDC Max, 2A Max

LED

LEDs on Front Panel

- ▼ Running LED: Run
- ▼ Alarm LED: Alarm (12/24/48VDC model only)
- ▼ Power LED: PWR1,PWR2
- ▼ Ring LED: Ring
- ▼ Interface LED: Link/ACT, Speed (RJ45 port); Link/ACT(Fiber port)

Button

Reset: Reboot and restore default configuration

Power Requirement

Power Input

- ▼ 100-240VAC, 50/60Hz; 110-220VDC(85-264VAC/77-300VDC)
- ▼ 24-48VDC(18-72VDC)
- ▼ 12-24VDC(9-36VDC)

Power Terminal

- ▼ 5-pin 5.08mm-spacing plug-in terminal block

Power Consumption

<8.1W

Overload Protection

Support

Reverse Protection

Support

Redundancy Protection

Support (12/24/48VDC)

Physical Characteristics

Housing

Metal

Cooling

Natural convection, fanless

Protection Class

IP40

Dimension

- ▼ 53.6mm×135mm×106.5mm(W×H×D) (12/24/48VDC)
- ▼ 66mm×135mm×106.5mm (W×H×D) (220VAC/DC)

Weight

0.76Kg

Mounting

DIN-Rail or Panel Mounting

Environmental Limits

Operating Temperature

- ▼ -40°C to +85°C(12/24/48VDC)
- ▼ -40°C to +75°C(220VAC/DC)

Storage Temperature

-40°C to +85°C

Ambient Relative Humidity

5-95% (non-condensing)

Warranty

MTBF

385,000 hrs

Warranty

5 years

Approvals

UL508, Class I Div 2: Models with L2:24-48VDC

CE(EMC), FCC: Models with L2:24-48VDC and L5:12-24VDC

UL certified max operating temperature is 75°C.

Industry Standard

EMI

- ▼ FCC CFR47 Part 15,EN55022/CISPR22,Class A

EMS

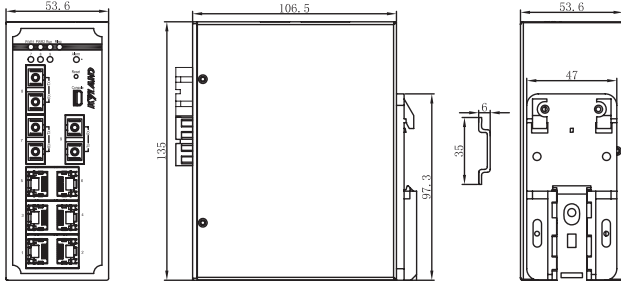
- ▼ IEC61000-4-2(ESD) ±8kV(contact),±15kV(air)
- ▼ IEC61000-4-3(RS) 10V/m(80MHz-2GHz)
- ▼ IEC61000-4-4(EFT) Power Port:±4kV;Data Port:±2kV
- ▼ IEC61000-4-5(Surge) Power Port: ±2kV/DM, ±4kV/CM; Data Port:±2kV
- ▼ IEC61000-4-6(CS) 10V (150kHz-80MHz)

Machinery

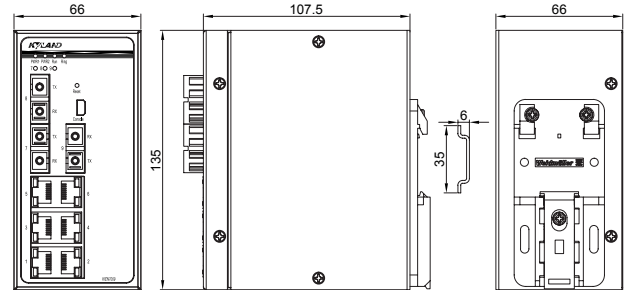
- ▼ IEC60068-2-6 (Vibration)
- ▼ IEC60068-2-27 (Shock)
- ▼ IEC60068-2-32 (Free Fall)

►► Mechanical Drawing

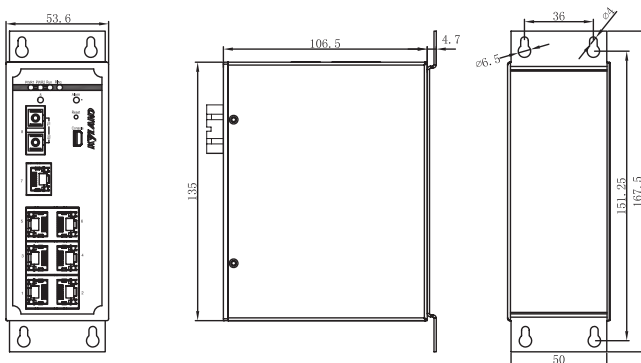
Din Rail Mounting (Low voltage version)



Din Rail Mounting (High voltage version)



Panel Mounting (Low voltage version)



Ordering Information

KIEN7009-Ports-Connector-PS1-PS2

KIEN7009-Ports-Connector-PS1

Ports	
3S6T	3×100Base-FX, single mode fiber ports; 6×10/100Base-T(X) RJ45 ports
3M6T	3×100Base-FX, multi mode fiber port; 6×10/100Base-T(X) RJ45 ports
2S6T	2×100Base-FX, single mode fiber ports; 6×10/100Base-T(X) RJ45 ports
2M6T	2×100Base-FX, multi mode fiber port; 6×10/100Base-T(X) RJ45 ports
2S4T	2×100Base-FX, single mode fiber ports; 4×10/100Base-T(X) RJ45 ports
2M4T	2×100Base-FX, multi mode fiber port; 4×10/100Base-T(X) RJ45 ports
1S7T	1×100Base-FX, single mode fiber port; 7×10/100Base-T(X) RJ45 ports
1M7T	1×100Base-FX, multi mode fiber port; 7×10/100Base-T(X) RJ45 ports
8T	8×10/100Base-T(X) RJ45 ports
Connector	
100M fiber port specifications	
SC05	SC connector, multi-mode, 1310nm, 5km
ST05	ST connector, multi-mode, 1310nm, 5km
FC05	FC connector, multi-mode, 1310nm, 5km
SC40	SC connector, single-mode, 1310nm, 40km
ST40	ST connector, single-mode, 1310nm, 40km
FC40	FC connector, single-mode, 1310nm, 40km
SC60	SC connector, single-mode, 1310nm, 60km
SC80	SC connector, single-mode, 1550nm, 80km
None	No 100Base-FX fiber port
PS1-PS2	
L2-L2	24-48VDC (18-72VDC), redundant power inputs
L5-L5	12-24VDC (9-36VDC), redundant power inputs
PS1	
HV	100-240VAC, 50/60Hz; 110-220VDC (85-264VAC/77-300VDC), single power input

Accessories

Accessory Model	Description
DT-BGAZ-02	Panel for panel mounting (12/24/48VDC Model)
DT-BGAZ-09	Panel for panel mounting (220VAC/DC Model)
DT-FCZ-RJ45-01	Dustproof cover for RJ45 port
DT-XL-Mini USB-USB-2m	Mini USB to USB cable for Console management, 2m